

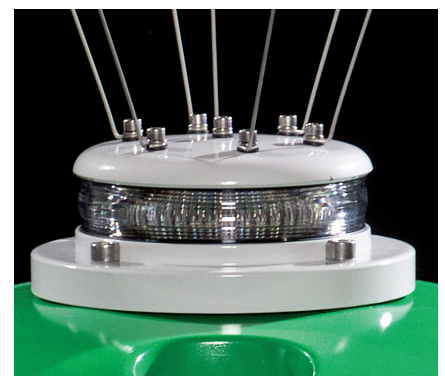
SC 155 II

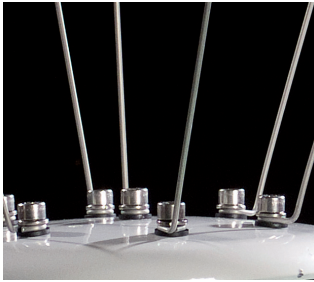
Self-contained LED Lantern for buoys and minor beacons

SC 155 II is a self-contained LED lantern for fixed and floating structures.

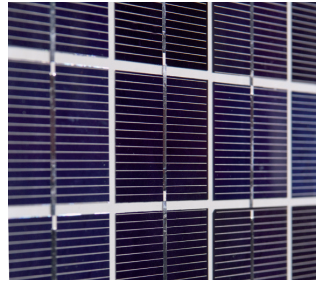
The lantern is a complete package including solar panels, battery and charge controller. The lantern is designed for harsh marine environments and for long uninterrupted operation.

- Range up to 7 NM ($T_c=0,74$)
10 NM ($T_c=0,85$) depending on geographical location
- Standard IALA colours Red, Green, White, Yellow
- Light module of rugged aluminium housing and body of UV resistant polyethylene
- Integrated flasher with day-light switch and solar charger
- Standard VRLA battery or optional NiCd for low temperature areas
- Ventilated battery compartment
- Solar modules with tempered glass in front
- Adjustable intensity and range
- Available with narrow (6°) or wide (10°) vertical divergence
- Programming with a wireless Sabik Easy Programmer, PDA Programmer or PC/USB interface
- Integrated event log for 365 days
- Optionally integrated GPS synchronization
- Optionally integrated GSM remote monitoring
- Optionally auxiliary connector for external charger or external solar module
- Optionally primary battery switch

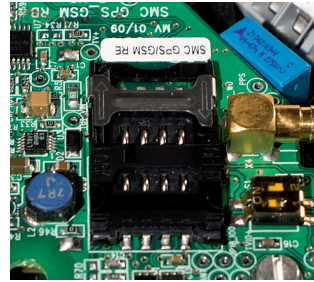




Bird spikes
Stainless steel as standard.
Easy to replace. Special spikes for protection against Cormorants on request.



Solar Modules
Solar modules with tempered glass front well integrated with the PE-housing.



GSM
GSM unit and antenna integrated in the lantern for remote monitoring and control. For more information please see the LightGuard Section.



Auxiliary connector
(Optionally) enables external charging or additional solar modules.



VRLA Battery
Maintenance free Lead acid battery with a designed lifetime of 7 years.



Programming with PC
Using Sabik USB interface.



Sabik Easy Programmer
User friendly and compact wireless two-way programmer.

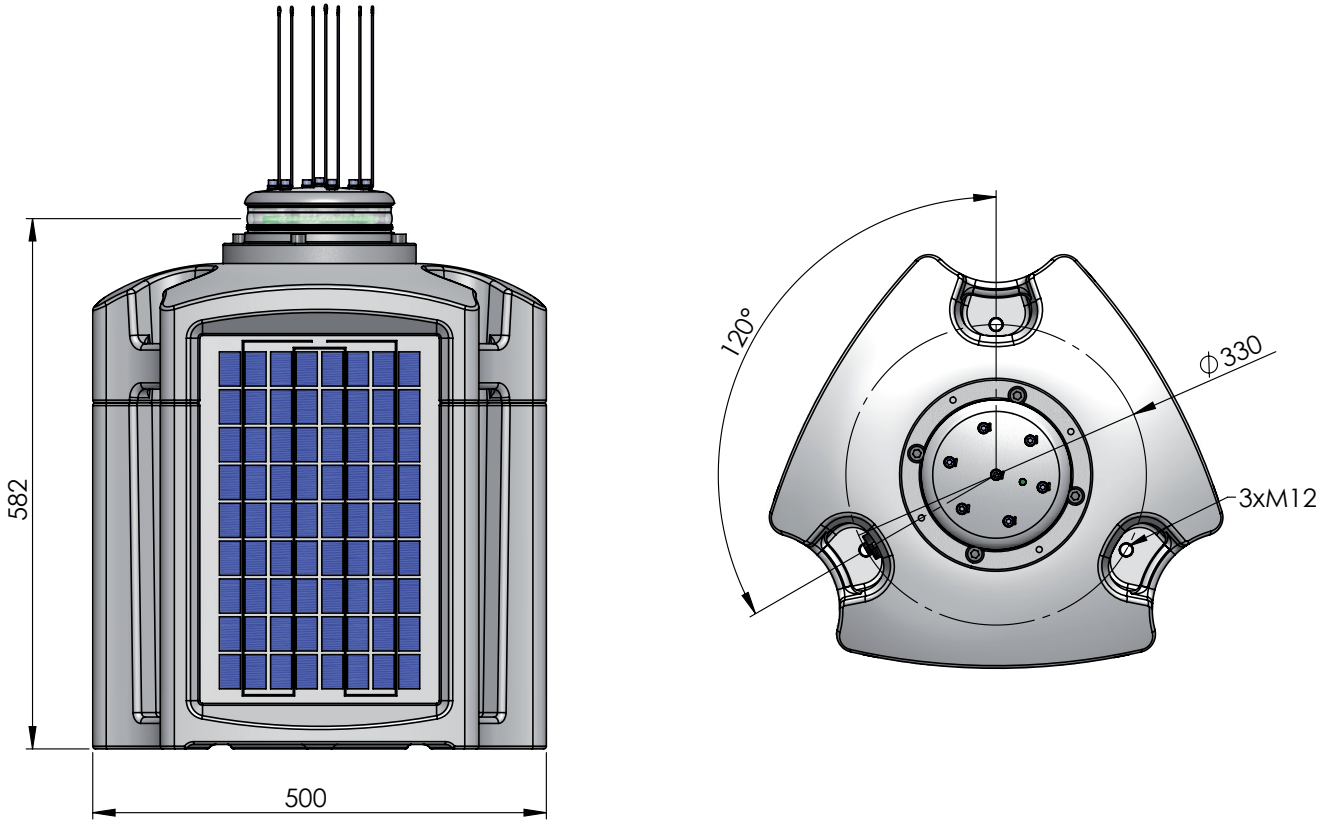


PDA Programmer
Wireless two-way communication using a Windows based PDA with infra red port. Flash code, range and photocell switch level etc. can be set. With the Programmer also the event log can be retrieved.



Installation
The bottom plate of the LED 155 supports installation on structure using 3 x M10 bolts on a 330 mm diameter.

Technical Specification SC 155 II



Optical performance

Maximum fixed intensity, narrow lens (6°)

Simplex, 6 W	140 cd	270 cd	420 cd	200 cd
--------------	--------	--------	--------	--------

Maximum fixed intensity, wide lens (10°)

Simplex, 6 W	120 cd	180 cd	250 cd	100 cd
--------------	--------	--------	--------	--------

Main Technical Specification

Lens visual/Mechanical diameter	160 mm
Lens material	UV stabilized Polycarbonate
Light source	Light Emitting Diodes (LEDs)
Vertical divergence (narrow lens)	6° @ 50% (±1°) and 10° @ 10% (±2°) of peak intensity
Solar modules	3 x 11 W
Battery	VRLA GEL-Type, 60Ah/12V
Weight	37 Kg
Overall height	582 mm
Overall width	500 mm dia.
Installation	3 x M10 on 330 mm dia.

Order Overview SC 155 II

Option matrix

OPT 1: Optical Feedback System	Integrated LED performance measurement
OPT 4: GPS sync	Integrated GPS sync including GPS antenna
OPT 7: External GPS	External GPS antenna
OPT 9: LightGuard GSM + GPS	Integrated GSM based monitoring including GSM/GPS antennas
OPT 10: LightGuard GSM	Integrated GSM based monitoring including GSM antenna
OPT 11: Control card	Control card for secondary battery
OPT 12: Aux card with I/O	Aux card including I/O ports
OPT 13: Aux card with RS485 and I/O	Aux card including RS 485 and I/O port
Shock & Tilt Sensor	Integrated 3-axis G sensor for tilt and shock sensing

N = Narrow (6° @ 50 % of peak intensity)		W = Wide (10° @ 50 % of peak intensity)	
Red	SC 155-2NVR	Red	SC 155-2WVR
Yellow	SC 155-2NVY	Yellow	SC 155-2WVY
Green	SC 155-2NVG	Green	SC 155-2WVG
White	SC 155-2NVW	White	SC 155-2WVW

Example: SC 155-2WWOPT12

- SC 155-2WW is the code for SC 155 II with wide lens in white
- with a selection of option 12 Aux card I/O