



**招远市泰仑特塑胶化工有限公司**  
Zhaoyuan Talent Plastic Chemical Co., Ltd.

地址：中国·山东·招远市西郊工业园区  
电话：+86-535-8379699  
传真：+86-535-8379666  
网址：www.zytl.com  
邮编：265404  
邮箱：fairy@zytl.com  
sunfangrui2008@126.com  
sunfangrui@hotmail.com

Add: Western Suburb Industrial Park, Zhaoyuan City,  
Shandong Province, China  
Tel: +86-535-8379699  
Fax: +86-535-8379666  
Mobile: +86-13953546963  
Website: www.zytl.com  
P.C: 265404  
E-mail: fairy@zytl.com  
sunfangrui2008@126.com  
sunfangrui@hotmail.com

## 橡胶护舷 Rubber Fender



# 集团简介

Group Profile

招远市泰仑特塑胶化工有限公司是中国橡胶护舷专业制造商，公司座落在素有“中国金都”之称的山东省招远市，是投资规模1亿元的新型企业，占地面积2万平方米。目前产品有几十种型号几百种规格。产品具有反力低，吸能量大，耐海水腐蚀等性能，已广泛用于各港口码头和船舶。

招远市泰仑特塑胶化工有限公司拥有雄厚的技术力量，先进的制造工艺，现代化的生产设备，完善的测试仪器和科学的测试手段，可以满足国标，ISO，ASTM，欧盟以及PIANC等国际标准，并且通过中国船级社CCS，法国船级社BV，英国劳氏船级社LR，德国技术监督协会TUV，瑞士通用公证SGS，天祥集团INTERTEK，德国船级社GL等第三方机构的检验。目前公司产品已经出口至全球80多个国家及地区。为适应各类港口码头和各种船舶的特殊需要，我公司与中国海军，中国海监，中国交通部、中国建筑集团，中国船舶，青岛科技大学、北京橡胶工业设计研究院等长期合作，并专门建立了一支科研队伍，由相关科研院所提供技术支持，不断开发橡胶护舷新产品，完善提高橡胶护舷产品性能，使我们的生产工艺和产品的各项性能具有先进水平。

我公司始终不渝地遵循“诚信为本、用户至上、质量第一、追求卓越”的宗旨，以精湛科学的技术工艺和可靠完善的质量管理体系向客户提供优质的产品和服务。我们热忱欢迎中外宾客莅临我公司参观指导，让我们精诚合作，为促进各行业的兴旺发达而共同努力。

## Rubber Fender



## Zhaoyuan Talent Plastic Chemical Co.,Ltd.



Zhaoyuan Talent Plastic Chemical Co., Ltd. is a professional manufacturer of Rubber Fender in China. The company located in Zhaoyuan city of China with 15 million USD investment and covers 20,000m<sup>2</sup>. The annual output is 8,000 tons of Rubber Fender and several hundred specifications are available. The products with low reaction force, high energy absorption and seawater corrosion-resistance, have been widely used in ports and ships.

Zhaoyuan Talent Plastic Chemical Co., Ltd. provides professional design and manufacture for all kinds of Marine Fender Systems. We believe in offering innovative Fender Systems and delivering value to our customers through our extensive sales network worldwide. Over a decade, Zhaoyuan Talent has strived to be a trustworthy partner to our customers. Our extensive experience in this area has allowed us to respond swiftly to customers' requirements.

Zhaoyuan Talent has exported Marine Fender Systems to over 80 countries, long term cooperation with Navy Force of over 10 countries, supplied over 1000 Marine Fender's solutions for different Port Authorities and Construction Groups. Our Marine Fenders are with the performance scientifically-evaluated, combined with severe quality control as in ISO9001 and PIANC and technical back-up services. Zhaoyuan Talent Marine Fenders have passed the test of BV, SGS, LR, CCS, Intertek, TUV and GL.

We're a team of seasoned professionals who bring an unmatched depth of industry knowledge to every project we undertake. We work closely and collaboratively with customers to create solutions to exacting standards that achieve not only their immediate goals, including on-time completion, but also bring long-term value to their investment.

# 目录 Contents

01-03	04-06	07-09	10-12	13-14	15-16	17-18	19-20	21-22	23-24
泰仑特·超级鼓型橡胶护舷 Talent-Super Cell Rubber Fender	泰仑特·锥形橡胶护舷 Talent-Cone Rubber Fender	泰仑特·超级拱型橡胶护舷 Talent-Super Arch Rubber Fender	泰仑特·圆筒型橡胶护舷 Talent-Cylindrical Rubber Fender	泰仑特·拖轮船用橡胶护舷 Talent-Tug Rubber Fender for Ship	泰仑特·D型橡胶护舷 Talent-D Type Rubber Fender	泰仑特·GD型橡胶护舷 Talent-GD(Wing-D) Type Rubber Fender	泰仑特·ME组合型橡胶护舷 Talent-ME Element Rubber Fender	泰仑特·舷梯橡胶护舷 Talent-Ladder Rubber Fender	泰仑特·漂浮护舷 Talent-Floating Fender



25-26	27-29	30-32	33	34	35-36	37-38	39-40	41-42	43-44
泰仑特·充气型橡胶护舷 Talent-Pneumatic Rubber Fender	泰仑特·转动型橡胶护舷 Talent-Roller Rubber Fender	泰仑特·π型橡胶护舷 Talent-π Type Rubber Fender	泰仑特·W型橡胶护舷 Talent-W Type Rubber Fender	泰仑特·方型橡胶护舷 Talent-Square Rubber Fender	泰仑特·包角型橡胶护舷 Talent-Corner Rubber Fender	泰仑特·护舷安装配件 Talent-Fixing Accessories of Fender System	泰仑特·护舷检验设备 Talent-Testing Equipments	泰仑特·资质证书 Talent-Certificates	泰仑特·客户 Talent-Clients

# Talent Super Cell Rubber Fender

## 超级鼓型橡胶护舷

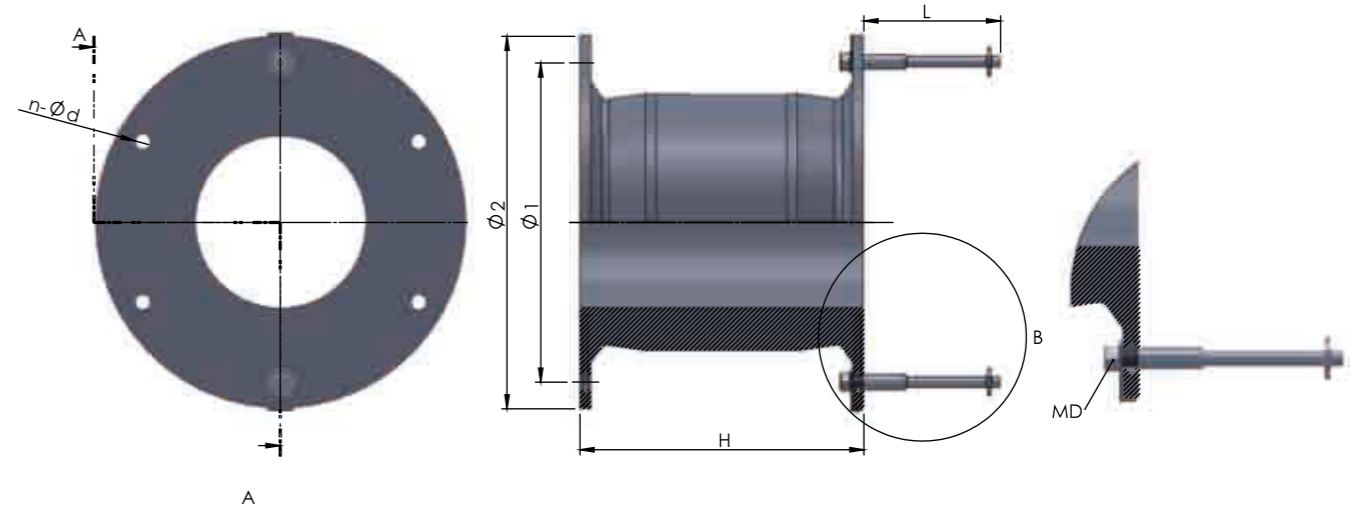
### 特点 Features

1. 超级鼓型橡胶护舷拥有高吸能和低反力的特性。
2. 护舷前沿设有防冲板，可大大降低船舶傍板的面压力，面压力可控制在200KN/m<sup>2</sup>以下，特别适用于大型船舶靠泊。
3. 防冲板安装超高分子量聚乙烯板，可减小船舶与护舷的摩擦系数，大大降低船舶靠泊时剪切力，从而提高护舷使用寿命。
4. 超级鼓型橡胶护舷拥有卓越的多角度倾斜压缩性能。

1. High energy absorption with low reaction force.
2. Frontal Panel can reduce the surface pressure to the ship, surface pressure could be controlled below 200KN/m<sup>2</sup>, it is suited to berth large ship.
3. UHMW-PE pad is fixed with Frontal Panel to lower the friction factor between ship and fender system, this can effectively extend the service life of fender system through reducing the shear force.
4. Super Cell Rubber Fender has excellent multi-direction angular performance.



### 规格尺寸 Specification Sizes



规格 Spec.	H	Φ1	Φ2	n	Φd	MD	L	Ref. Weight 参考重量(kg)
500H	500	550	650	4	32	24	300	111
630H	630	700	840	4	39	30	330	230
800H	800	900	1050	6	40	32	360	412
1000H	1000	1100	1300	6	47	39	430	825
1150H	1150	1300	1500	6	50	42	500	1210
1250H	1250	1450	1650	6	53	45	500	1500
1450H	1450	1650	1850	6	61	52	570	2310
1600H	1600	1800	2000	8	61	52	570	3030
1700H	1700	1900	2100	8	66	56	620	3700
2000H	2000	2000	2200	8	74	64	700	5260
2250H	2250	2300	2550	10	74	64	700	7500
2500H	2500	2700	2950	10	74	64	700	10750
3000H	3000	3150	3350	12	90	76	800	18500

(Unit: mm)

### 倾斜压缩修正系数 Slant Compression Correction Factor

Angular 角度	3	4	5	6	8	10	15
反力修正系数 Reaction Force Correction Factor	0.96	0.94	0.93	0.93	0.92	0.92	0.90
吸能量修正系数 Energy Absorb Correction Factor	0.94	0.92	0.89	0.87	0.84	0.80	0.72

超级鼓型橡胶护舷在不同倾斜压缩时反力吸能量修正系数，供参考使用。

The correction factor of Reaction Force and Energy Absorption while slant compression for Super Cell Rubber Fender, it's for reference only.

## 力学性能 Dynamic Performance

规格 Spec.	性能 Performance																			
	Rated Compression Deflection 52.5% 设计压缩量52.5%										Max. Compression Deflection 55% 最大压缩量55%									
	RE		RS		RH		RO		RL		RE		RS		RH		RO		RL	
	R	E	R	E	R	E	R	E	R	E	R	E	R	E	R	E	R	E	R	E
500H	182	40.2	162	35.6	140	30.1	108	23.4	86.3	17.8	210	42.7	187	37.8	160	32	125	24.9	99	18.9
630H	290	80.4	258	71.6	224	61.7	172	47.1	137.5	38.2	309	85.3	274	75.5	237	66.7	182	50	146.5	40.2
800H	464	163	412	145.2	355	124.6	275	96.1	211	74.5	493	172.6	437	153	378	132	292	102	225	78.4
1000H	737	324	655	287	567	249	436	191	349	153	784	343	696	304	603	264	463	203	372	163
1150H	975	492	865	437	750	379	578	291	462	233	1037	521	920	463	798	401	614	309	491	247
1250H	1153	632	1022	561	886	486	682	374	546	299	1225	669	1087	594	942	516	725	396	581	316
1450H	1551	987	1376	876	1193	760	918	585	735	468	1649	1045	1464	928	1269	804	976	619	781	495
1600H	1888	1326	1676	1177	1453	1020	1117	786	894	628	2007	1405	1781	1247	1544	1080	1189	832	950	665
1700H	2131	1591	1892	1413	1640	1224	1262	941	1009	753	2266	1685	2012	1495	1743	1300	1342	997	1073	798
2000H	2941	2591	2619	2300	2270	1994	1746	1534	1398	1227	3136	2743	2783	2435	2413	2111	1856	1624	1485	1299
2250H	4145	4095	3679	3628	3188	3150	2454	2424	2085	2060	4406	4337	3911	3848	3390	3336	2607	2566	2216	2180
2500H	5118	5618	4543	4987	3937	4322	3028	3325	2574	2826	5441	5949	4829	5280	4182	4576	3220	3520	2737	2992
3000H				5687	7456	4314	5676	3677	4897					6619	7521	5099	6028	4217	5193	

注:

- (1) 其它性能规格供需双方协商;
- (2) R - 反力 (KN), E - 吸能量 (KN-M);
- (3) RE-极高反力型, RS-超高反力型, RH-高反力型, RO-标准反力型, RL-低反力型;
- (4) 性能公差: ±10%。

Note:

- (1) Other performance requirement can be custom-made;
- (2) R-Reaction Force (KN), E-Energy Absorption (KN-M);
- (3) RE- Ultra High Reaction Forcers, RS-Super High Reaction Force, RH-High Reaction Force, RO-Standard Reaction Force, RL-Low Reaction Force;
- (4) Performance tolerance:±10%.



## Talent Super Cone Rubber Fender

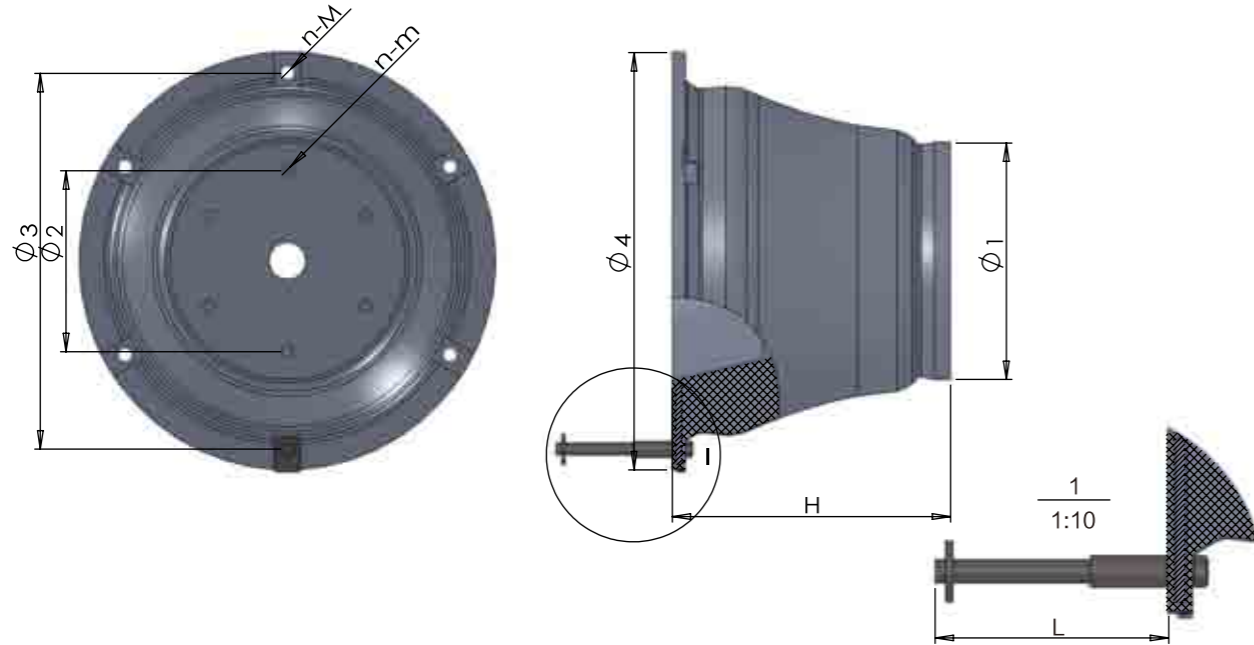
### 锥型橡胶护舷

#### 特点 Features

1. 超级锥型橡胶护舷结构更加合理, 变形量可达到70%-72.5%, 同等规格护舷吸能量提高近一倍, 使用寿命长, 可降低码头工程造价。
  2. 在船舶倾斜靠泊时(10°以下), 性能基本不变。
  3. 护舷前沿设有防冲板, 可大大降低船舶傍板的面压力, 面压力可控制在200KN/m<sup>2</sup>以下, 特别适用于大型船舶靠泊。
  4. 防冲板前面安装超高分子量聚乙烯, 可减小船舶与护舷的摩擦系数, 大大降低船舶靠泊时剪切力, 从而提高护舷使用寿命。
  5. 特别适用于要求反力低吸能量高的码头, 安装形式多样, 安装简单快捷。
1. More reasonable structure, 70%-72.5% deflection, double Energy Absorption than other same sizes fenders, long term service life with low cost of dock projects.
  2. The performance is almost changeless during vessels' angular berthing under 10° .
  3. Frontal panel can reduce the surface pressure to the ship, surface pressure could be controlled below 200KN/m<sup>2</sup>, it is suited to berthing large ship.
  4. UHMW-PE pad is fixed with frontal panel to reduce the friction factor between ship and Fender System, this can extend the service life of Fender System through reducing the shear force.
  5. Flexible and convenient installation.



规格尺寸 Specification Sizes



规格 Spec.	H	Φ1	Φ2	Φ3	Φ4	n	m	M	Ref. Weight 参考重量(kg)
500H	500	425	325	675	750	4	M24	30	140
600H	600	510	390	810	900	6	M24	30	232
700H	700	595	455	945	1050	6	M30	38	395
800H	800	680	520	1080	1200	6	M36	44	540
900H	900	765	585	1215	1350	6	M36	44	760
1000H	1000	850	650	1350	1500	6	M42	50	1015
1100H	1100	935	715	1485	1650	6	M42	50	1505
1150H	1150	998	750	1550	1725	6	M42	50	1600
1200H	1200	1020	780	1620	1800	8	M42	50	1960
1300H	1300	1105	845	1755	1950	8	M48	60	2400
1400H	1400	1190	930	1890	2100	8	M48	60	3060
1600H	1600	1360	1060	2160	2400	8	M48	60	4600
1800H	1800	1530	1190	2430	2700	10	M56	70	6600

(Unit: mm)

泰仑特 锥型橡胶护舷

TALENT- Super Cone Rubber Fender



力学性能 Dynamic Performance

规格 Spec.	性能 Performance															
	设计压缩变形70% Rated Compression Deflection 70%								最大压缩变形72.5% Max Compression Deflection 72.5%							
	RS		RH		RO		RL		RS		RH		RO		RL	
	R	E	R	E	R	E	R	E	R	E	R	E	R	E	R	E
500H	335	79	268	63	200	47	165	37	380	90	311	70	232	50	193	41
600H	480	157	382	127	283	94	225	75	542	161	429	129	319	104	258	85
700H	652	235	522	181	384	150	308	120	691	243	568	192	426	154	341	124
800H	862	368	706	294	502	224	402	179	930	380	833	316	576	252	428	208
900H	1078	494	862	399	635	306	508	255	1189	517	957	431	703	334	558	270
1000H	1339	669	1078	541	784	437	628	350	1507	735	1213	588	882	478	698	380
1100H	1430	830	1146	650	927	495	800	408	1570	865	1259	681	1019	527	833	432
1150H	1764	1029	1392	882	1038	666	830	532	1985	1103	1593	938	1152	717	919	588
1200H	1846	1093	1496	952	1106	705	890	560	2045	1149	1665	998	1227	739	985	587
1300H	2125	1585	1705	1310	1320	1043	1125	750	2312	1640	1900	1360	1537	1077	1200	800
1400H	2255	1686	1804	1349	1443	1079	1150	860	2506	1756	2005	1405	1604	1124	1278	896
1600H	3024	2419	2268	1935	1814	1548	1418	1234	3150	2520	2520	2016	2016	1613	1575	1285
1800H	3750	3538	3000	2830	2401	2264	1912	1804	4166	3686	3333	2948	2667	2359	2125	1880

注:

- (1) 其它性能规格供需双方协商;
- (2) R - 反力 (KN), E - 吸能量 (KN-M);
- (3) RS - 超高反力型, RH - 高反力型, RO - 标准反力型, RL - 低反力型;
- (4) 性能公差: ±10%.

Note:

- (1) Other performance requirement can be custom-made;
- (2) R-Reaction Force (KN), E-Energy Absorption (KN-M);
- (3) RS-Ultra High Reaction Force, RH-High Reaction Force, RO-Standard Reaction Force, RL-Low Reaction Force;
- (4) Performance tolerance :±10%.





# Talent Super Arch Rubber Fender

## 超级拱型橡胶护舷

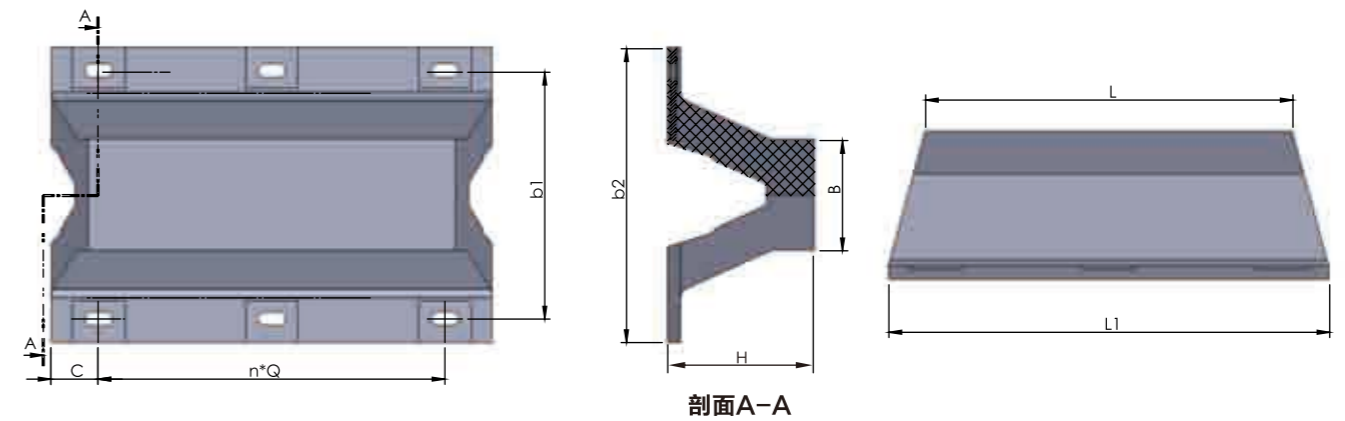
### 特点 Features

1. 超级拱型橡胶护舷与普通V型橡胶护舷相比，设计压缩量大，吸能量高，反力低。是V型橡胶护舷的换代产品。
2. 结构合理，使用时间长。
3. 灵活方便的安装方式，更广泛的尺寸和性能选择。
4. 超级拱型橡胶护舷前端可加防冲板或超高分子量聚乙烯贴面板，降低面压及护舷与船板的摩擦系数，使靠泊时剪切力大大降低。

1. Higher Energy Absorption with lower Reaction Force than normal V type Rubber Fender.
2. More reasonable structure with high durability.
3. Flexible and convenient installation, wide selection of sizes and performances.
4. Front Panel with UHMW-PE Face Pad could be installed on the top of fender to reduce surface pressure and friction factor with ship which keeps lower shear strength while vessel berthing.



## 规格尺寸 Specification Sizes



规格 Spec.	尺寸 Size								
	H	L	L1	C	Q	n	B	b1	b2
TLT-BA200×1000	200	1000	1100	120	860	1	145	320	400
TLT-BA 200×1500	200	1500	1600	120	680	2	145	320	400
TLT-BA 200×2000	200	2000	2100	120	620	3	145	320	400
TLT-BA 200×2500	200	2500	2600	122.5	785	3	145	320	400
TLT-BA 200×3000	200	3000	3100	120	715	4	145	320	400
TLT-BA 200×3500	200	3500	3600	120	672	5	145	320	400
TLT-BA 250×1000	250	1000	1125	130	865	1	164	410	500
TLT-BA 250×1500	250	1500	1625	132.5	680	2	164	410	500
TLT-BA 250×2000	250	2000	2125	132.5	620	3	164	410	500
TLT-BA 250×2500	250	2500	2625	127.5	790	3	164	410	500
TLT-BA 250×3000	250	3000	3125	132.5	715	4	164	410	500
TLT-BA 250×3500	250	3500	3625	130	673	5	164	410	500
TLT-BA 300×1000	300	1000	1150	140	870	1	225	490	600
TLT-BA 300×1500	300	1500	1650	140	685	2	225	490	600
TLT-BA 300×2000	300	2000	2150	137.5	625	3	225	490	600
TLT-BA 300×2500	300	2500	2650	140	790	3	225	490	600
TLT-BA 300×3000	300	3000	3150	145	715	4	225	490	600
TLT-BA 300×3500	300	3500	3650	140	674	5	225	490	600
TLT-BA 400×1000	400	1000	1200	150	900	1	300	670	800
TLT-BA 400×1500	400	1500	1700	150	700	2	300	670	800
TLT-BA 400×2000	400	2000	2200	147.5	635	3	300	670	800
TLT-BA 400×2500	400	2500	2700	150	800	3	300	670	800
TLT-BA 400×3000	400	3000	3200	150	725	4	300	670	800
TLT-BA 400×3500	400	3500	3700	150	680	5	300	670	800
TLT-BA 500×1000	500	1000	1250	160	930	1	375	840	1000
TLT-BA 500×1500	500	1500	1750	160	715	2	375	840	1000
TLT-BA 500×2000	500	2000	2250	157.5	645	3	375	840	1000
TLT-BA 500×2500	500	2500	2750	160	810	3	375	840	1000
TLT-BA 500×3000	500	3000	3250	165	730	4	375	840	1000
TLT-BA 500×3500	500	3500	3750	160	686	5	375	840	1000
TLT-BA 600×1000	600	1000	1300	170	960	1	450	1010	1200

(Unit: mm)

规格 Spec.	尺寸 Size								
	H	L	L1	C	Q	n	B	b1	b2
TLT-BA 600×1500	600	1500	1800	170	730	2	450	1010	1200
TLT-BA 600×2000	600	2000	2300	167.5	655	3	450	1010	1200
TLT-BA 600×2500	600	2500	3800	170	820	3	450	1010	1200
TLT-BA 600×3000	600	3000	3300	170	740	4	450	1010	1200
TLT-BA 600×3500	600	3500	3800	170	692	5	450	1010	1200
TLT-BA 800×1000	800	1000	1400	180	1040	1	600	1340	1600
TLT-BA 800×1500	800	1500	1900	180	770	2	600	1340	1600
TLT-BA 800×2000	800	2000	2400	180	680	3	600	1340	1600
TLT-BA 800×2500	800	2500	2900	182.5	845	3	600	1340	1600
TLT-BA 800×3000	800	3000	3400	180	760	4	600	1340	1600
TLT-BA 1000×1000	1000	1000	1500	200	1100	1	750	1680	2000
TLT-BA 1000×1500	1000	1500	2000	200	800	2	750	1680	2000
TLT-BA 1000×2000	1000	2000	2500	200	700	3	750	1680	2000

(Unit: mm)

### 力学性能 Dynamic Performance

规格 Spec.	超高反力型RS Super High Reaction Force RS				高反力型RH High Reaction Force RH				标准反力型RO Standard Reaction Force RO				低反力型RL Low Reaction Force RL			
	52.5%		55%		52.5%		55%		52.5%		55%		52.5%		55%	
	R	E	R	E	R	E	R	E	R	E	R	E	R	E	R	E
TLT-BA 200×1000	170	11	230	14	150	10	200	12	110	8	150	9	75	5	100	6
TLT-BA 250×1000	270	28	375	30	208	22	288	23	172	18	239	19	148	16	205	17
TLT-BA 300×1000	317.5	40.2	441	43	244	30.4	339	32.34	201.1	24.5	288.1	26.4	173.5	21.56	241.1	23.5
TLT-BA 400×1000	423.4	71.5	588	76.4	325.4	54.9	451	58.8	270	45.1	347	48	231	39.2	321	42.1
TLT-BA 500×1000	529	110.7	735	118.6	406.7	86	564.5	91.1	337	70.6	468	75.5	289	60.8	402	64.7
TLT-BA 600×1000	634	160	881	171.5	488	123.5	678	132.3	403.8	102	560.6	108.8	347	87.2	482	93.1
TLT-BA 800×1000	847	284	1176	304.8	651	218.5	904	234	539	181.3	748.7	194	462.6	156	643	167
TLT-BA 1000×1000	1058	445	1470	476.3	813	342	1130	366.5	675	283	937	305	578	2430	803	261

注:

- (1) 性能公差: ± 10%;
- (2) R-反力 (KN), E-吸能量 (KN-M);
- (3) 设计压缩量: 52.5%, 最大压缩量: 55%;
- (4) 其它性能规格供需双方协商;
- (5) 其它长度护舷力学性能需要在1000长度基础上乘长度的倍数。

Note:

- (1) Tolerance: ± 10%;
- (2) R-Reaction Force (KN), E-Energy Absorb (KN-M);
- (3) Rated Compression 52.5% Max. Compression: 55%;
- (4) Other performance requirement can be custom-made;
- (5) Other length fender dynamic performance need to multiple on the basis of 1000 length.



## Talent Cylindrical Rubber Fender

### 圆筒型橡胶护舷

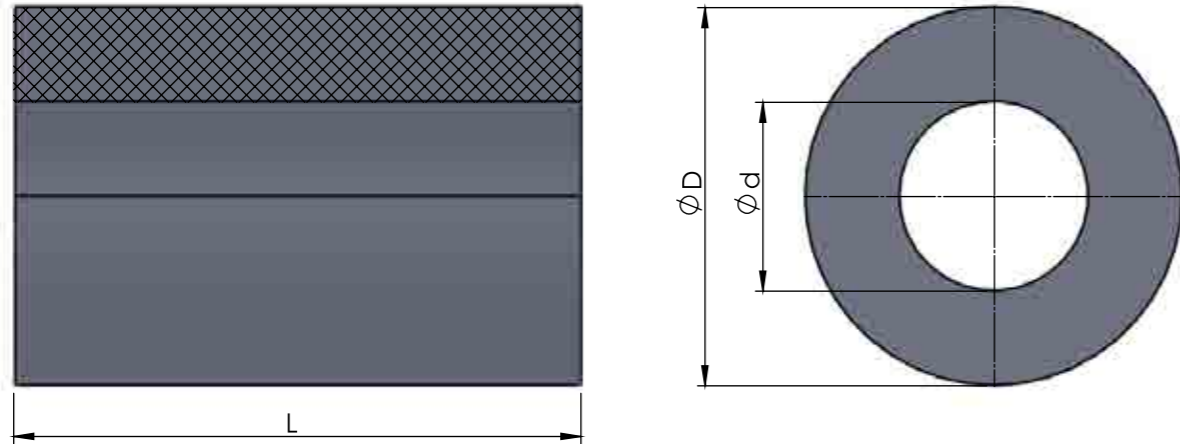
#### 特点 Features

1. 圆筒型橡胶护舷反力低, 面压适中, 吸能量合理。
  2. 圆筒型橡胶护舷适用于各种大小船舶和各类码头。
  3. 对船舶靠泊时的横摇和纵摇适应性强。
  4. 可采用多种安装形式, 安装维修方便。
1. Low reaction force, medium surface pressure and reasonable energy absorption.
  2. Applicable for longitudinal shift and lateral movement of ships while ship calls at the dock.
  3. Applicable for different ships and different docks.
  4. Multiple installations and easy maintenance.





## 规格尺寸 Specification Sizes



规格 Spec.	外径 Outer Diameter ΦD	内径 Inner Diameter Φd	长度 Length	备注 Note
Y150	150	75	500-30000	其它规格 尺寸可根据用户实际要求加工生产
Y200	200	100		
Y250	250	125		
Y300	300	150		
Y350	350	175		
Y400	400	200		
Y450	450	225		
Y500	500	250		
Y600	600	300		
Y700	700	350		
Y800	800	400	1000-20000	Other Sizes Can Be Customized.
Y900	900	450		
Y1000	1000	500		
Y1100	1100	550		
Y1200	1200	600		
Y1300	1300	650		
Y1400	1400	700		
Y1500	1500	750		
Y1600	1600	800		
Y1800	1800	900		
Y2000	2000	1000		

(Unit: mm)



## 力学性能 Dynamic Performance

规格 Spec.	设计压缩量 Rated Compression	性能 Performance				性能公差 Tolerance
		反力 (KN) Reaction Force		吸能量 (KN-M) Energy Absorb		
		标准型 Standard	高反力型 High Reaction Force	标准型 Standard	高反力型 High Reaction Force	
Y150	50%	44	73	1.5	2.3	±10%
Y200		60	95	2.6	4.2	
Y250		75	120	4	6.5	
Y300		89	143	6	9	
Y350		104	167	8	13	
Y400		119	191	10	17	
Y500		148	239	16	26	
Y600		179	286	24	27	
Y700		208	334	31	50	
Y800		237	383	41	66	
Y900		268	430	52	84	
Y1000		297	479	64	103	
Y1100		331	528	77	129	
Y1200		363	574	95	152	
Y1300		392	623	108	179	
Y1400		422	670	128	208	
Y1500		451	718	147	238	
Y1600		481	776	176	282	
Y1700		511	824	206	338	
Y1800		541	872	247	406	
Y1900	570	920	288	487		
Y2000	653	1054	321	584		

注:

- (1) 其它性能规格供需双方协商。
- (2) 其它长度护舷力学性能需要在1000mm长度基础上乘长度的倍数。

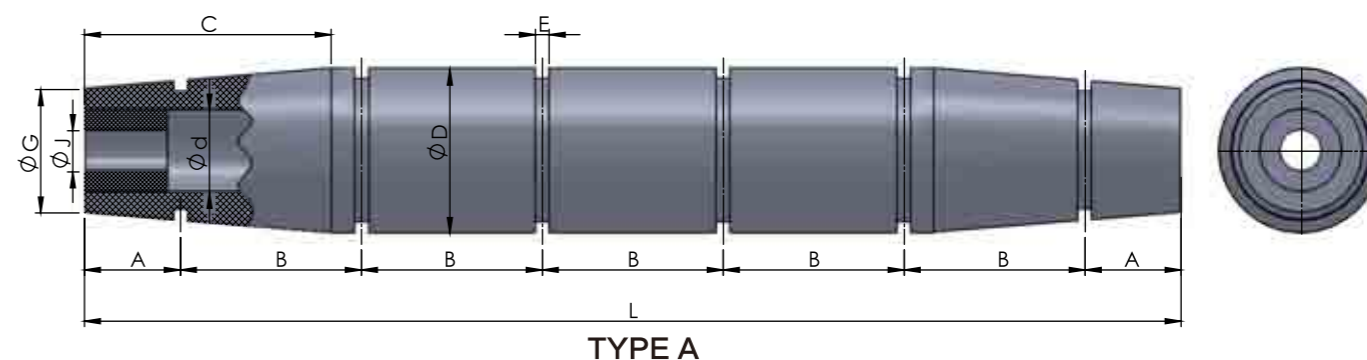
Note:

- (1) Other performance requirement can be custom-made.
- (2) Other length fender dynamic performance need to multiple on the basis of 1000mm length.



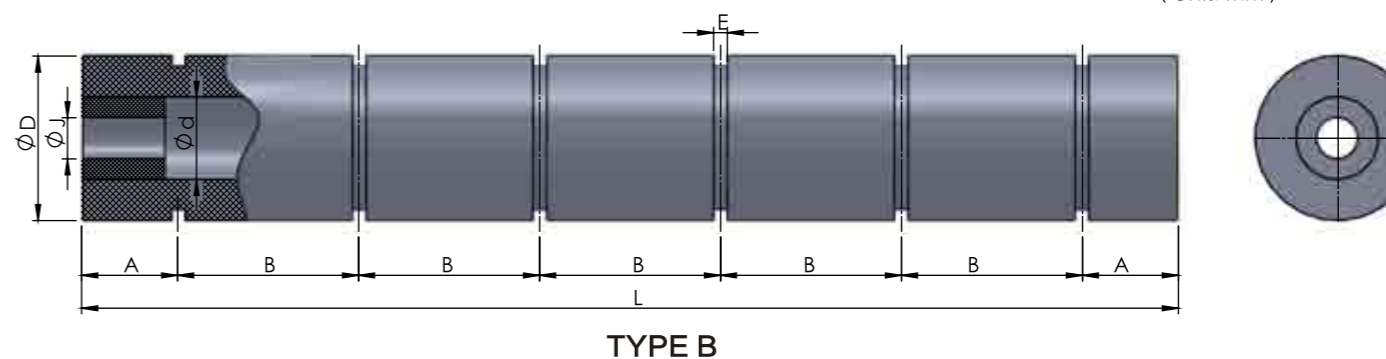


## 规格尺寸 Specification Sizes



ΦD	Φd	A	B(Max)	C	ΦG	ΦJ
300	150	225	600	700	225	75
400	200	300	670	800	300	100
500	250	300	730	900	375	100
600	300	350	800	900	450	125
800	400	350	930	1000	600	125
900	450	350	1000	1100	675	150
1000	500	350	1060	1200	750	150

(Unit: mm)



ΦD	Φd	A	B(Max)	ΦJ
300	150	225	600	75
400	200	300	670	100
500	250	300	730	100
600	300	350	800	125
800	400	350	930	125
900	450	350	1000	150
1000	500	350	1060	150

(Unit: mm)

# Talent Tug Rubber Fender for Ship

## 拖轮船用橡胶护舷

### 特点 Features

泰仑特拖轮船用橡胶护舷主要用于各种港作拖轮，安装在船头、船舷和船尾，从事推、顶、拖、靠等作业，泰仑特拖轮船用橡胶护舷采用整体成型硫化工艺，产品整体性能好，使用寿命长，安装方便。

Tug Rubber Fenders are used on the bow and stern of tug for pushing. TALENT Tug Rubber Fender uses once completely vulcanization technology to keep good performance and long working life.



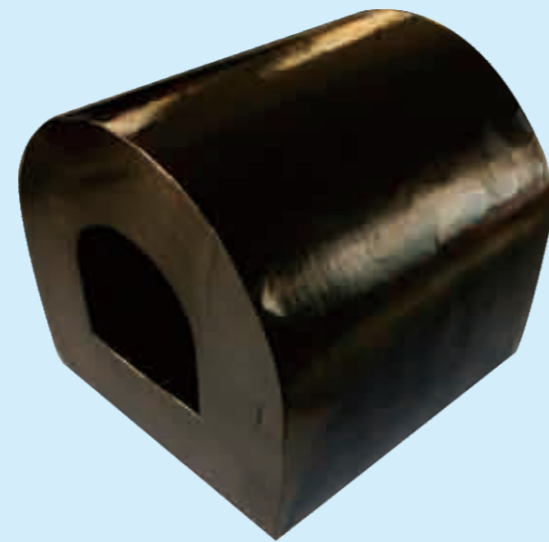
# Talent D Type Rubber Fender

## D型橡胶护舷

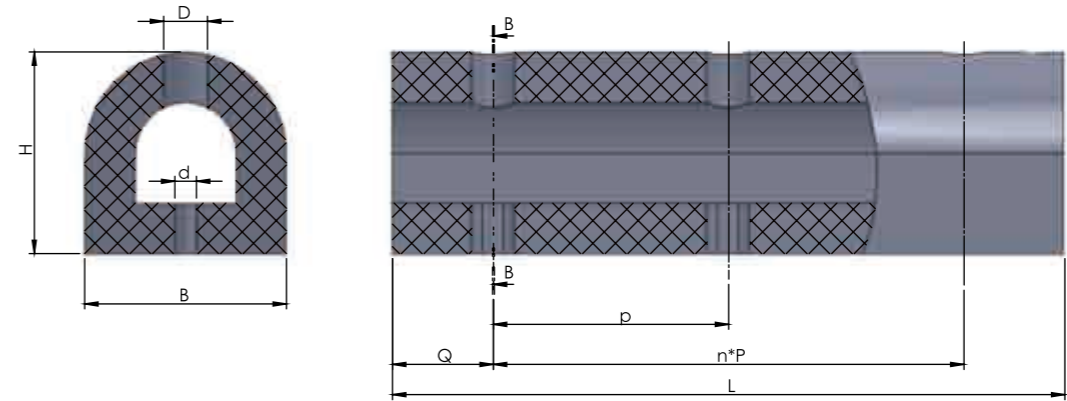
### 特点 Features

1. D型护舷可根据客户要求提供超长尺寸，角度切割和钻孔。
2. 简单的安装方式。
3. 适用于小型码头，渔船，拖轮，驳船和浮码头。

1. D Fender can be supplied in long lengths with angle cut at the ends, with drilled holes as required for each application.
2. Simple installation method.
3. Applicable for small quays, fishing boats, tugs, barges and pontoons.



## 规格尺寸 Specification Sizes



项目 Item	DD100	DD150	DD200	DD250	DD300	DD350	DD400	DD500
H	100	150	200	250	300	350	400	500
B	100	150	200	250	300	350	400	500
D (Φ)	45	55	55	65	65	85	85	97
d	25	27	30	32	36	40	42	45
螺栓尺寸 Bolt Size	M22	M24	M26	M27	M30	M36	M38	M42
Q	100-150	100-150	100-150	100-150	100-150	100-150	100-150	100-150
P	350-440	350-440	325-600	325-450	325-600	325-600	350-600	400-620
反力 Reaction Force (KN/m)	77	115	153	191	230	268	306	383
吸能量 Energy Absorption (KN-M/m)	1.4	3.2	5.7	8.9	12.9	17.6	23.0	35.9
变形量 Deflection	50%							
参考重量 Reference Weight (kg/m)	10	22	38	59	84	115	150	234

(Unit: mm)

注：

- (1) D型护舷还可以按照下图安装，如图1所示。
- (2) 可生产圆形孔，如图2、图3所示。

Note:

- (1) D fender also can be installed as shown in figure 1.
- (2) The round holes are also available, as shown in figure 2 & 3.



Figure 1

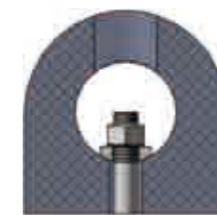


Figure 2



Figure 3

# Talent Wing(GD) Type Rubber Fender

## GD型橡胶护舷

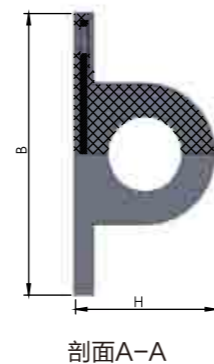
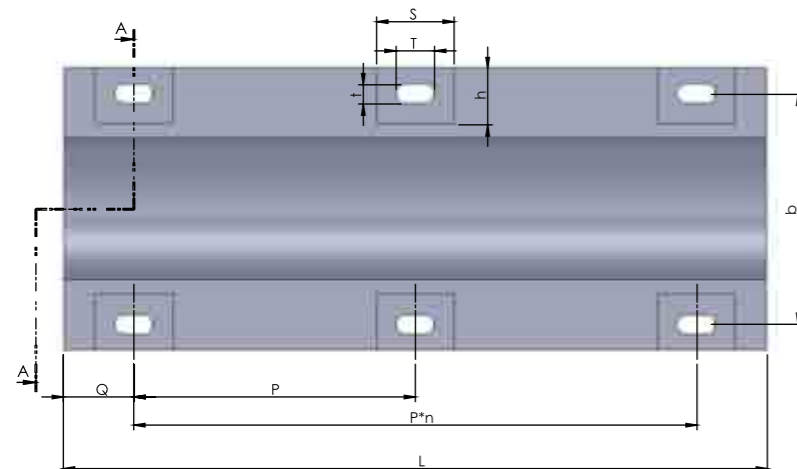
### 特点 Features

1. GD型橡胶护舷是在D型橡胶护舷的基础上开发的一种新型护舷。
2. GD型护舷加大护舷底部宽度并预埋钢板骨架，采用双排螺栓固定，安装强度及使用寿命比D型橡胶护舷有很大提高。
3. 反力及吸能量比D型护舷高。
4. 适用于框架式码头，安装维修方便。

1. TALENT-Wing Type Rubber Fender is a new type fender on the basis of D Type Fender, wider bottom with embedded steel plate, double row fixing bolts, longer working life than type D fender.
2. Higher reaction force and energy absorption than type D fender.
3. Easy to install and repair.



### 规格尺寸 Specification Sizes



规格 Spec.	尺寸 Sizes										
	H	B	b	L	Q	p	S	h	T	t	n
GD 300×540×1000	300	540	430	1000	150	700	165	120	82	41	2
GD 300×540×1500	300	540	430	1500	150	600	165	120	82	41	3
GD 300×540×2000	300	540	430	2000	145	570	165	120	82	41	4
GD 300×540×2500	300	540	430	2500	150	550	165	120	82	41	5
GD 300×540×3000	300	540	430	3000	150	540	165	120	82	41	6
GD 300×600×1000	300	600	490	1000	150	700	165	120	82	41	2
GD 300×600×1500	300	600	490	1500	150	600	165	120	82	41	3
GD 300×600×2000	300	600	490	2000	145	570	165	120	82	41	4
GD 300×600×2500	300	600	490	2500	150	550	165	120	82	41	5
GD 300×600×3000	300	600	490	3000	150	540	165	120	82	41	6

(Unit: mm)

### 力学性能 Dynamic Performance

规格 Spec.	力学性能 Performance			
	设计压缩量 (%) Rated Compression Deflection	反力 (KN) Reaction Force	吸能量 (KN-M) Energy Absorb	性能公差 (%) Tolerance
GD 300×540×1000	50	475	17	±10%
GD 300×600×1000		495	20	



注:

- (1) 其它性能规格供需双方协商。
- (2) 其它长度护舷力学性能需要在1000mm长度基础上乘长度的倍数。

Note:

- (1) Other performance requirement can be custom-made.
- (2) Other length fender dynamic performance need to multiple on the basis of 1000mm length.



# Talent ME Elements Rubber Fender

## ME组合型橡胶护舷

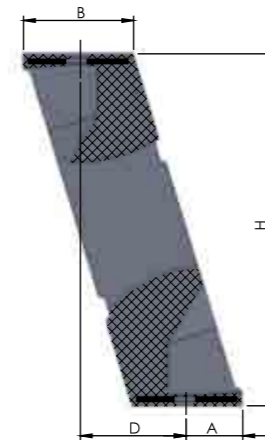
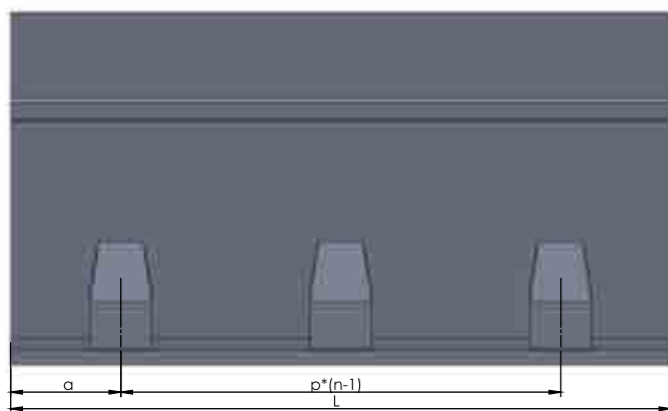
### 特点 Features

1. 反力低，吸能量高。
2. 根据性能要求，可组合成各种类型和尺寸的护舷系统。
3. 在垂直或带角度压缩时可达到的性能。

1. Low reaction force and high energy absorption.
2. The fenders can be combined into different types and sizes of fender system for required performance.
3. Optimum performance can be achieved at perpendicular or angular compression.



### 规格尺寸 Specification Sizes



规格 Spec.	尺寸 Sizes								
	H	A	B	D	L	a	p	n	Md
ME300	300	47	94	94	2000	250	500	4	M20
ME400	400	63	125	124	2000	250	500	4	M24
ME500	500	87	158	142	2000	250	500	4	M30
ME550	550	87	172	170	2000	250	500	4	M30
ME600	600	87	188	199	2000	250	500	4	M30
ME750	750	118	235	230	2000	250	500	4	M36
ME800	800	129	250	240	2000	250	500	4	M36
ME1000	1000	162	322	310	2000	250	500	4	M42
ME1250	1250	202	401	388	2000	250	500	4	M48
ME1450	1450	228	454	454	2000	250	500	4	M48
ME1600	1600	257	500	480	2000	250	500	4	M56

(Unit: mm)

注：其它规格可根据用户要求加工生产。

Note: Other specification can be manufactured upon users' request.

### 力学性能 Dynamic Performance

规格 Spec.	力学性能 Performance					性能公差 (%) Tolerance
	设计压缩量 (%) Rated Compression	标准反力型RO Standard Reaction Force RO		超高反力型RH Super High Reaction Force RH		
		反力 (KN) Reaction Force	吸能量 (KN-M) Energy Absorb	反力 (KN) Reaction Force	吸能量 (KN-M) Energy Absorb	
ME 300	57.5	110	15	161	22	±10%
ME 400		150	27	214	39	
ME 500		187	43	267	61	
ME 550		206	52	294	75	
ME 600		224	62	320	89	
ME 750		282	96	402	137	
ME 800		299	110	428	157	
ME 1000		374	172	534	245	
ME 1250		467	268	667	383	
ME 1450		543	361	775	516	
ME 1600		599	440	855	628	

注：

- (1) 以上性能针对护舷长度为1000mm。
- (2) 其它性能规格供需双方协商。
- (3) 其它长度护舷力学性能需要在1000mm长度基础上乘长度的倍数。

Note:

- (1) The performance base on 1000mm length.
- (2) Other performance requirement can be custom-made.
- (3) Other length fender dynamic performance need to multiple on the basis of 1000mm length.



# Talent Ladder Rubber Fender

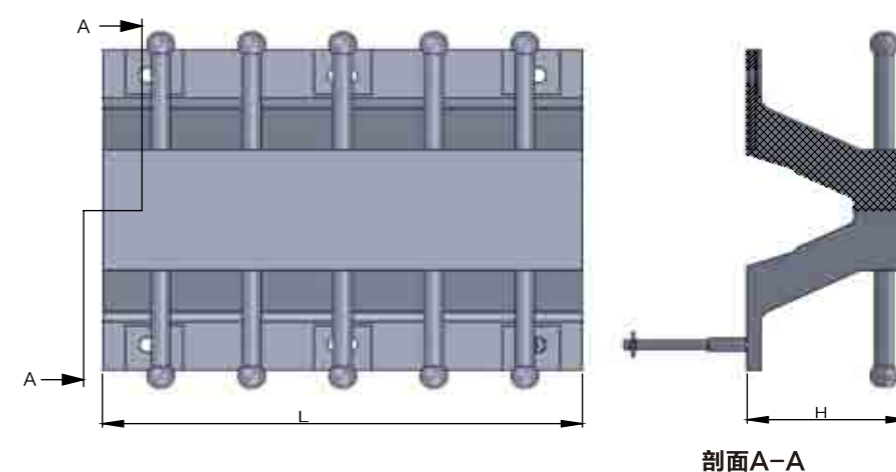
## 舷梯橡胶护舷

### 特点 Features

1. 旋梯橡胶护舷是在超级拱型橡胶护舷的基础上设计的，在护舷两侧增加了扶手。
  2. 旋梯橡胶护舷主要垂直安装在码头岸边，供港内作业等小型船舶使用，具有爬梯和护舷双重功能。
  3. 安装使用方便，安全可靠。
1. Ladder Rubber Fender is designed on the basis of Super Arch Rubber Fender, adding handrails on the both sides of Arch Fender.
  2. Ladder Rubber Fender usually is vertical installed on the side of dock.
  3. Suitable for berthing of small vessel in the dock.
  4. Double functions of ladder and fender.
  5. Simple installation and using.



### 规格尺寸 Specification Sizes



规格 Spec.	高度 Height-H	长度 Length-L							
H200	200	900	1200	1500	1800	2100	2400	2700	3000
H250	250	900	1200	1500	1800	2100	2400	2700	3000
H300	300	900	1200	1500	1800	2100	2400	2700	3000
H400	400	900	1200	1500	1800	2100	2400	2700	3000

注：其它规格尺寸可根据用户要求加工制作。

Note: Other specification can be manufactured upon Users' request.

(Unit: mm)

# Talent Foam Filled Fender

## 漂浮护舷

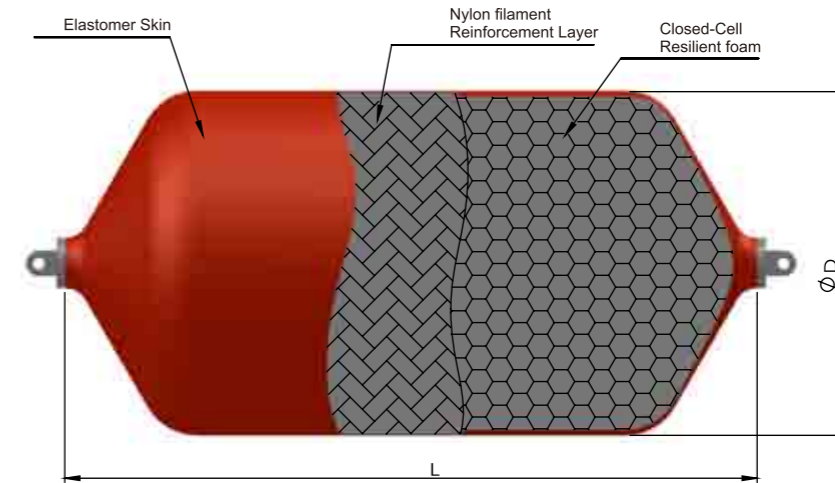
### 特点 Features

1. 泰仑特漂浮型护舷具有漂浮性能好，不受潮差影响，护舷可保持在理想水位。
2. 安装维修方便，安全可靠。
3. 特别适用于潮差大的码头、墩式码头、船舶之间及应急备用护舷。
4. 大型漂浮护舷需要外加轮胎保护套及吊装链条。
5. 外层可采用聚氨酯、橡胶、特种塑料等材料，也可通过调整材料弹性模量满足用户不同设计要求。

1. Foam Filled Fender has good floating performance, it will not be affected by the tide and the fender can be kept at an ideal water level.
2. Simple installation and repair.
3. Applicable for pier and dock with large tide scope, emergency standby purpose between ships.
4. Large Foam Filled Fender will need to add chain and tire net on the surface.
5. The outer layer of Foam Filled Fender can use polyurethane, rubber and special plastic etc material and the different performance can be met by adjusting the resilience modulus.



## 规格性能 Specification Performance



规格 Spec. (ΦD×L)-mm	压缩量60% Compression Deflection 60%	
	反力 (KN) Reaction Force	吸能量 (KN-M) Energy Absorb
Φ300×500	36	1.9
Φ400×600	42	2
Φ500×1000	66	8
Φ600×1000	80	11
Φ750×1500	150	26
Φ1000×1500	198	50
Φ1000×2000	261	69
Φ1200×2000	310	99
Φ1200×2500	390	113
Φ1500×3000	591	217
Φ1700×3000	659	270
Φ2000×3500	922	458
Φ2000×4000	1020	506
Φ2200×4500	1330	682
Φ2500×4000	1340	778
Φ2500×5000	1635	992
Φ3000×5000	1990	1422
Φ3000×6000	2370	1702
Φ3300×6500	2856	2248

注:

- (1) 性能公差: ± 10%。
- (2) 其它规格性能护舷可根据用户要求设计加工。

Note:

- (1) Performance Tolerance: ± 10%;
- (2) Other specifications can be manufactured according to client's requirement.



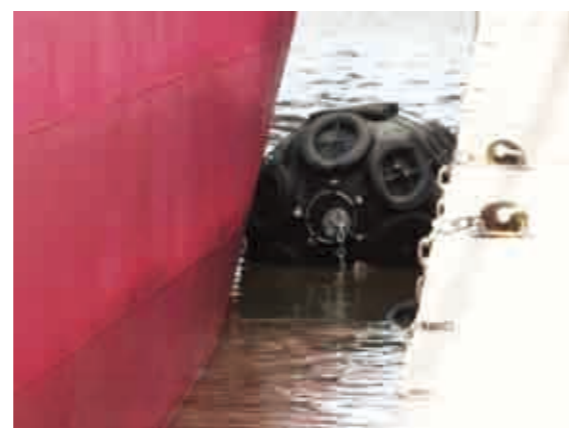


# Talent Pneumatic Rubber Fender

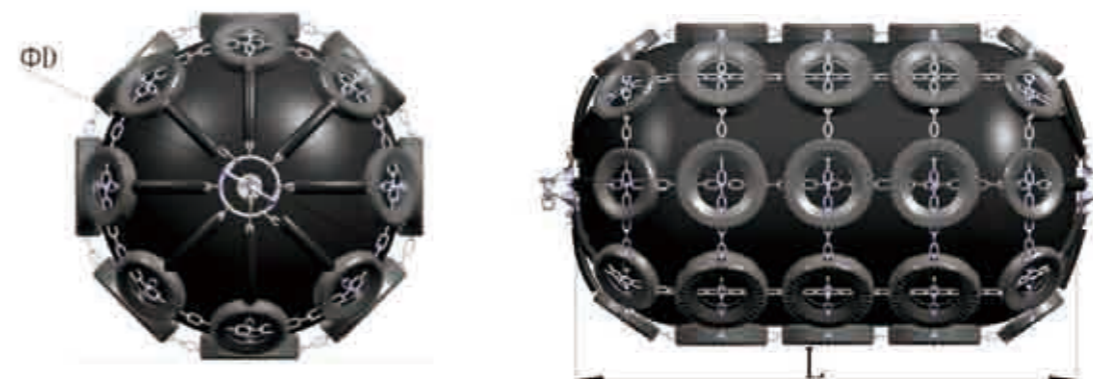
## 充气型橡胶护舷

### 特点 Features

1. 充气护舷具有低反力和低面压。
  2. 护舷性能可以被内部压力调节。
  3. 适合大小潮差。
  4. 大型充气护舷需要带轮胎护套。
  5. 方便快速的安装。
1. Low reaction force and surface pressure.
  2. Performance adjustable by varying initial pressure.
  3. Suitable for areas with large or small tides.
  4. Optional chain-tyre nets for heavy duty applications.
  5. Easy and fast installation.



## 规格性能 Specification Performance



规格 Spec. (ΦD×L)-mm	充气护舷 压缩变形60%性能 Compression Performance-Deflection 60%					
	Initial Internal Pressure 50KPa			Initial Internal Pressure 80KPa		
	Energy (KNm)	Reaction (KN)	Hull Pressure (KN/m <sup>2</sup> )	Energy (KNm)	Reaction (KN)	Hull Pressure (KN/m <sup>2</sup> )
300×500	1.3	22.6	189	1.7	29.4	246
500×1000	7.2	73.6	179	9.1	98.1	239
800×1200	21.6	141	188	28.1	187	250
1000×1500	40.2	222	190	52.7	281	240
1000×2000	54	295	180	70.2	374	228
1200×2000	77.5	354	185	101	449	235
1350×2500	125	496	181	175	650	238
1500×3000	182	658	178	235	837	227
2000×3500	378	1030	183	491	1315	234
2500×4000	675	1481	188	872	1864	236
3000×5000	1226	2207	185	1570	2786	233
3300×6500	1913	3169	181	2472	3993	228

注:

- (1) 性能公差: ± 10%。
- (2) 其它规格性能护舷可根据要求加工生产。

Note:

- (1) Tolerance: ± 10%;
- (2) Other specifications can be manufactured according to client's requirement.



# Talent Roller Rubber Fender

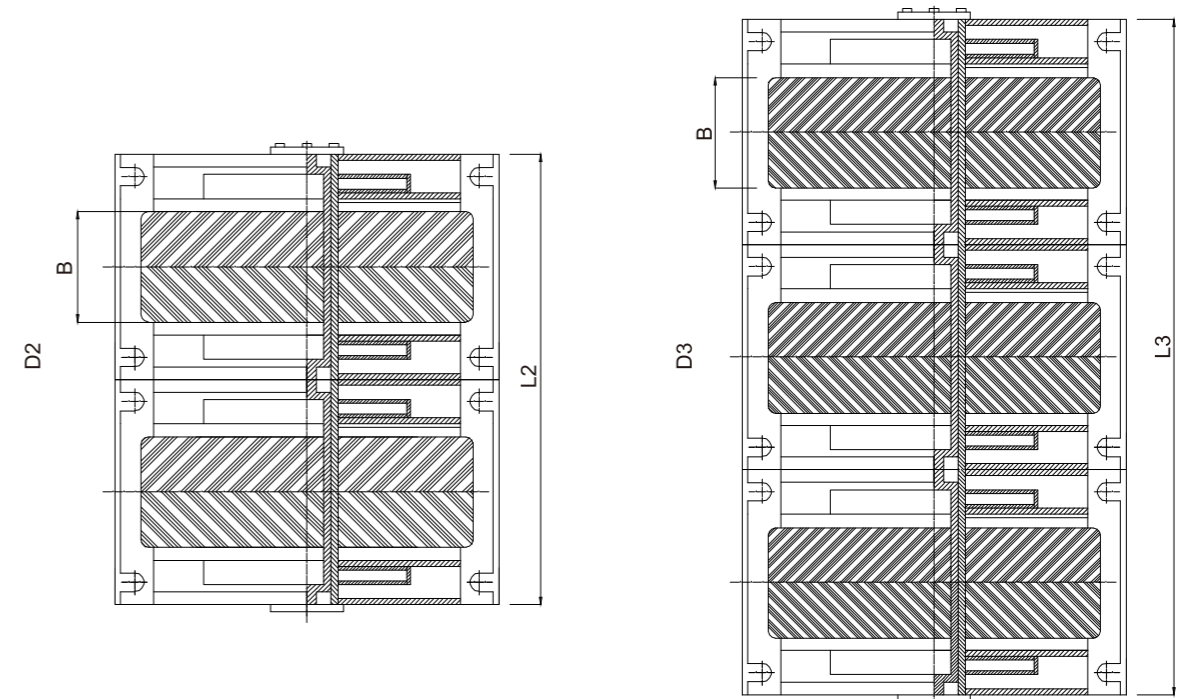
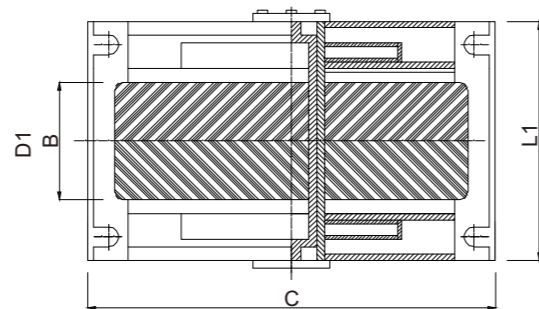
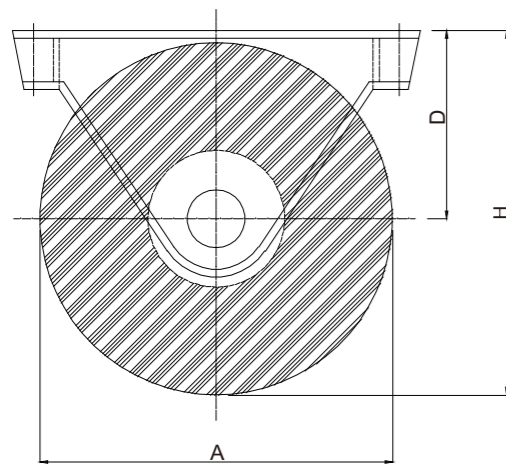
## 转动型橡胶护舷

### 特点 Features

1. 转动型橡胶护舷在与船舶碰撞时，护舷可以随船舶位移而转动并产生一定变形，从而吸收船舶部分冲击能量。
2. 转动型护舷主要用于船坞、水闸、各类限制水道及码头突出拐角等。
3. 具有低转动阻力。
4. 可以单轮或者多轮同时使用。

1. Roller Rubber Fender absorbs the impact energy of boat through rolling and deflection.
2. Roller Fender usually is used in shipyard, water lock, all kinds of limited canal and corner of dock etc.
3. Low rolling resistance.
4. Can be used singly or in stacks.

### 规格 Specification



TYPE A

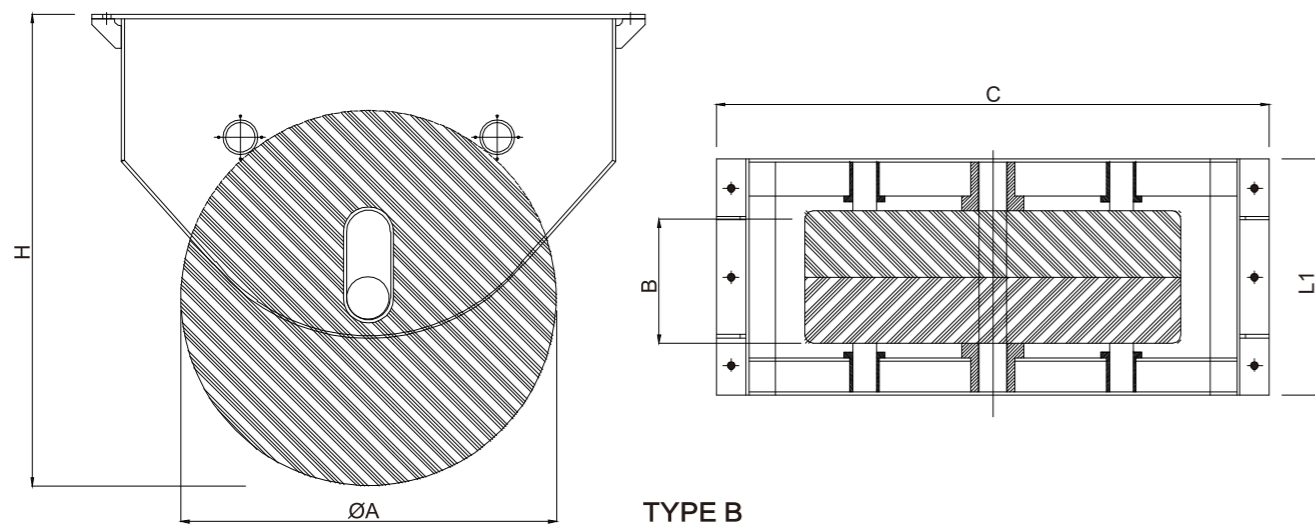
规格 Spec.	D1					D2	D3	
	A	B	C	D	H	L1	L2	L3
600×200	600	200	695	320	620	420	770	1120
750×250	750	250	870	400	775	510	935	1360
900×300	900	300	1040	480	930	610	1120	1630
1200×400	1200	400	1380	640	1240	820	1500	2180
1500×500	1500	500	1740	800	1550	1010	1850	2690
1800×600	1800	600	2080	960	1860	1210	2215	3220
2100×700	2100	700	2440	1155	2205	1410	2590	3770
2400×800	2400	800	2770	1280	2480	1610	2950	4290

(Unit: mm)



## 性能 Performance

规格 A×B Spec. (mm)	变形量 Deflection (mm)	D1		D2		D3		性能 公差 (%) Tolerance
		反力 (KN) Reaction Force	吸能量 (KN-M) Energy Absorb	反力 (KN) Reaction Force	吸能量 (KN-M) Energy Absorb	反力 (KN) Reaction Force	吸能量 (KN-M) Energy Absorb	
600×200	125	67	2	134	5	202	7	±10
750×250	159	105	5	210	9	315	14	
930×300	185	151	8	302	16	453	24	
1200×400	260	269	19	539	39	814	58	
1500×500	325	419	38	843	76	1264	113	
1800×600	390	608	65	1215	130	1823	196	
2100×700	455	823	102	1647	204	2470	306	
2400×800	510	1108	140	2156	280	3234	420	



## 规格性能 Specification Performance

规格 Spec.	A	B	H	L1	Energy (Knm)	Reaction (KN)	Deflection
1080×460	1080	460	1450	900	33	150	400
1300×510	1300	510	1750	1000	61	220	500
1750×690	1750	690	2200	1150	100	315	600
1980×760	1980	760	2550	1250	220	590	700
2550×970	2550	970	3200	1600	440	920	925
2900×900	2900	900	3750	1700	880	1300	1200

(Unit: mm)

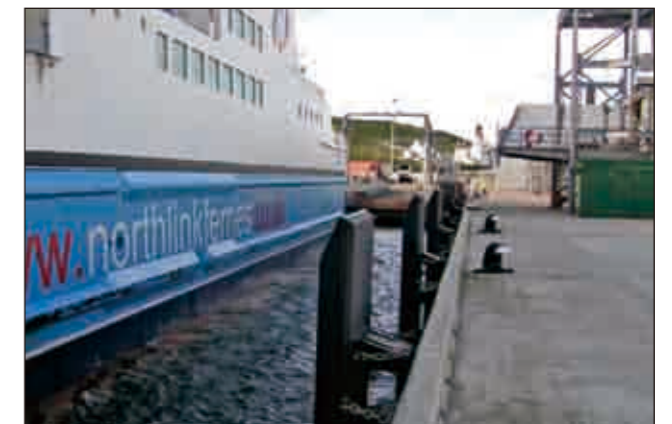
# Talent π Type Rubber Fender

## π型橡胶护舷

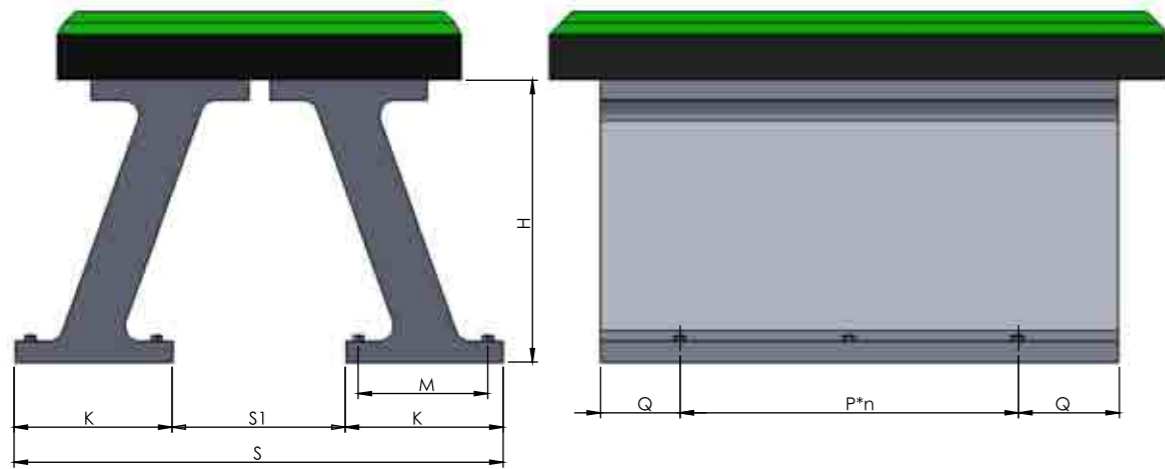
### 特点 Features

1. 泰伦特π型橡胶护舷设计压缩量大，吸能量高，比超级拱型橡胶护舷吸能量提高10%左右。
2. 护舷安装灵活，可根据码头结构不同，采用横向、竖向、组合等多种形式，满足不同码头需要。
3. 护舷前端设置防冲板，可大大降低船舶傍板的面压力。
4. 防冲板前面安装超高分子量聚乙烯，可减小船舶与护舷的摩擦系数，大大降低船舶靠泊时剪切力，从而提高护舷使用寿命。
5. 护舷采用组合形式后，倾斜压缩性能变化很小。

1. Larger rated compression with higher energy absorption.
2. Multiple installation can meet the requirements of different docks
3. Front Panel in front of fender can reduce the surface pressure of vessel.
4. UHMW-PE Pad on surface of Front Panel can reduce friction factor between vessel and fender system, meanwhile it will lower the shear force while vessel berthing.
5. Using fenders of combined installation could reduce the effect during angle berthing .



## 规格尺寸 Specification



断面尺寸 Section Sizes

型号	主要规格 (mm) Main Specification (mm)				
Types	H	K	M	S	S1
π600	600	500	370	1500	500
π800	800	600	460	1700	500
π1000	1000	700	550	2000	600
π1250	1250	800	650	2450	850
π1400	1400	900	730	2700	900
π1700	1700	1050	860	3150	1050
π2000	2000	1200	1000	3700	1300
π2250	2250	1350	1150	4000	1300
π2500	2500	1400	1200	4400	1600

长度尺寸 Length Sizes

规格 Spec.	L=1000			L=1500			L=2000			L=2500		
	p	n	Q	p	n	Q	p	n	Q	p	n	Q
π600 π800 π1000 π1250 π1400 π1700 π2000	700	1	150	600	2	150	850	2	150	700	3	200
π2250	600	1	150	550	2	200	800	2	200	700	3	200
π2500	600	1	150	550	2	200	800	2	200	700	3	200

(Unit: mm)

## 性能 Performance

Performance Grade 性能等级	E1				E2				E3			
	52.5%		55%		52.5%		55%		52.5%		55%	
Deflection	R (KN)	E (KN-m)	R (KN)	E (KN-m)	R (KN)	E (KN-m)	R (KN)	E (KN-m)	R (KN)	E (KN-m)	R (KN)	E (KN-m)
π600H	277	63	295	67	415	95	432	101	537	123	570	131
p800H	369	112	393	119	554	169	590	180	716	218	763	232
p1000H	432	179	460	190	647	268	689	285	836	347	890	369
p1150H	496	237	528	252	745	355	793	377	962	458	962	486
p1400H	604	351	643	373	906	526	965	559	1171	680	1247	722
p1700H	734	517	782	549	1101	776	1173	824	1422	1002	1514	1064
p2000H	863	716	919	760	1295	1074	1379	1141	1673	1387	1782	1473
p2500H	1079	1118	1149	1187	1619	1678	1724	1782	2091	2167	2227	2301

注:

- (1) 以上性能是针对一对护舷, 长度为1米。
- (2) 其它长度护舷力学性能需要在1000mm长度基础上乘长度的倍数。
- (3) 其它性能规格供需双方协商。

Note

- (1) The performance base on 1000mm length, one pair of fender.
- (2) Other length fender dynamic performance need to multiple on the basis of 1000mm length.
- (3) Other performance requirement can be custom-made.



# Talent W Type Rubber Fender

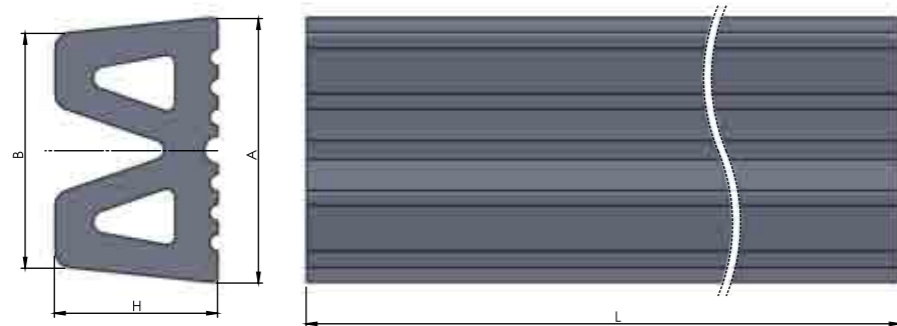
## W 型橡胶护舷

### 特点 Features

1. W型护舷通常安装在拖轮上用于拖轮的推动作业。
  2. 接触面积大，面压小。
  3. 安装方便。
1. W Fender is usually used for pushing on the tug boat.
  2. Large contact area and very low hull pressures.
  3. Easy installation.



### 规格 Specification



规格 Spec.	A	B	H	L (max)
300H	480	420	300	2000
450H	500	420	450	2000

(Unit: mm)



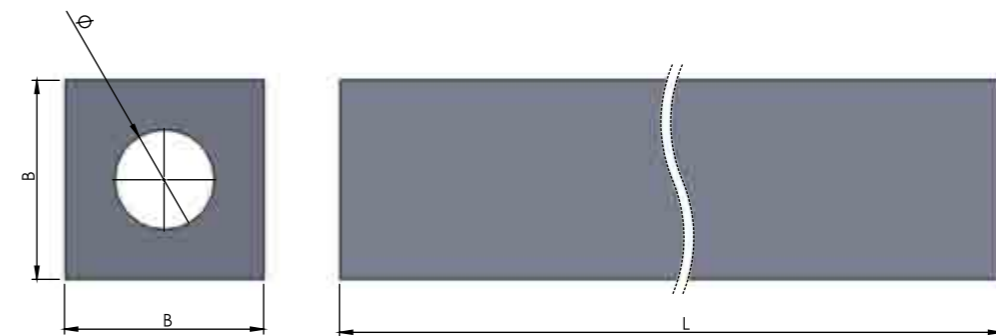
# Talent Square Rubber Fender

## 方型橡胶护舷

### 特点 Features

1. 吸能量大，反力适中。
  2. 适用于各种码头、船坞、船舶。
  3. 具有倾斜斜靠影响小的特点。
1. High energy absorption and reasonable reaction force.
  2. The fender is applicable for all kinds of docks, quays, and ships.
  3. Good performance during angle berthing.

### 规格 Specification



型号Types B×Φ	规格尺寸Specification		
	B	Φ	L
150×75	150	75	500-3000
200×100	200	100	
250×125	250	125	
300×150	300	150	
400×200	400	200	
500×250	500	250	

(Unit: mm)

# Talent Corner Fender

## 拐角橡胶护舷

### 特点 Features

适用于码头拐角部分。

Suitable for the corner of dock.



**TALENT**



# 护舷配件

## Talent-Fixing Accessories of Fender

The image displays a collection of fender accessories arranged in a diamond pattern around a central blue diamond. The central diamond contains the text "橡胶护舷 RUBBER FENDER".

- U型环 U Ring**: A U-shaped metal ring.
- 防冲板 Frontal Panel**: A green, rectangular panel with a grid pattern.
- 锚链 Chain**: A heavy-duty metal chain.
- 贴面板 UHMW-PE Pad**: A blue, rectangular pad.
- 压板 Flat Bar**: A long, thin metal bar.
- L 垫片 L-Washer**: A small, L-shaped metal washer.
- 螺栓 Bolt**: A standard metal bolt.
- 卸扣 Shackle**: A metal shackle.
- 穿杠 Steel Bar**: A long, thin metal bar.
- 树枝螺栓 Resin Bolt**: A long, thin metal bolt.
- 调节卸扣 Dogbone Shackles**: A metal shackle with a dogbone shape.
- 圆垫圈 Round Washer**: A circular metal washer.
- 螺母 Nut**: A hexagonal metal nut.
- U型盘 U Plate**: A U-shaped metal plate.
- 预埋螺母 Cast-in Nut**: A metal nut with a threaded hole.

检验设备

# Talent-Test Equipment



# Talent-Certificates

## 资质证书





# 客户 Talent-Clients



中国船舶  
China Shipbuilding Industry Group Corporation



泰国海军  
Navy Force of Thailand



塞德港务局  
Port Said Port Authority



中交集团  
CHINA COMMUNICATIONS CONSTRUCTION



俄罗斯海军  
Navy Force of Russia



威尼斯港务局  
Venice Port Authority



中国海军  
Navy Force of China



菲律宾港务局  
Philippine Ports Authority



新加坡海军  
Navy Force of Singapore



格鲁吉亚港务局  
Georgia Ports Authority



塞浦路斯港务局  
Cyprus Ports Authority



韩国海军  
Navy Force of Korea



埃及海军  
Navy Force of Egypt



巴拿马航道局  
Panama Canal Authority



新加坡港务局  
PSA Marine



纽约港务局  
Port Authority of New York & New Jersey



台湾港务股份  
TAIWAN International Ports Corporation Ltd.



达曼船厂  
Dammam Shipyard



尼日利亚港务局  
Nigeria Ports Authority



范傲德  
Van Oord Marine Ingenuity



鹿特丹港  
Port of Rotterdam



沙特港务局  
Jeddah Ports Authority



中建集团  
China State Construction Engineering Corporation