

DIAMETER 3000 IALA BUOYAGE SYSTEM

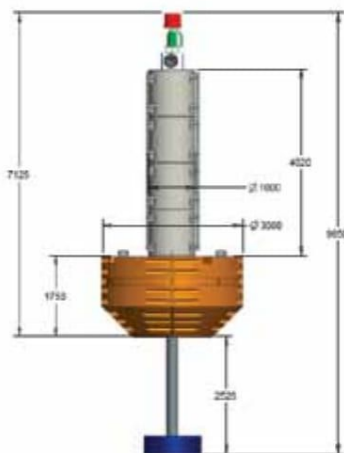


martek[®]



M76000 (DIAMETER 3000mm) IALA BUOYAGE SYSTEM

High visibility red, green, white, yellow or blue as per IALA recommendations. Designed for harsh sea conditions. Four quarters made in polyethylene filled with EPS or PU



TECHNICAL DATA

Diameter: 3000 mm
 Height :9650mm
 Note: The Lantern focal height is adjustable with modular parts.
 Raw material: UV-stabilised virgin polyethylene
 Filling: EPS or PU
 Metal structure: Hot Dip Galvanized or Stainless Steel



M03451 RADAR REFLECTOR

Radar reflector is a device which is attached to a buoy to make it more visible on radar.



M850
3 to 6NM
Range
GPS



M650H
3 to 4+NM
Range
GPS



M550
1 to 3 NM
Range

SELF-CONTAINED LANTERNS

The Self-contained Lanterns combine a compact, high-efficiency solar engine with premium components and a rugged design for best-in-class performance. Built-in calendar function for automatic de-activation during off-season months. Adjustable intensity and range. GPS synchronized flash option.



M76000 (DIAMETER 3000mm) IALA BUOYAGE SYSTEM

Additional Equipments :Solar panel,racon,ais,meteorology/hydrology sensor,battery,charging unit etc.



SOLAR PV SYSTEM

If the Navaid system required for offshore application is solar powered it also requires a solar panel together with a battery and a battery box. Martek offers also different solar powered solutions to keep your lantern working.



RACON

Racon devices are used at sea to mark navigational hazards as RADAR targets for presentation on a ship navigational radar display
 Latest technologies
 Fully IALA compliant
 Easy installation and programming
 Maintenance free
 Very low power consumption



**AIS
for AtoN**

Housed in a rugged triple protected housing suitable for the harsh marine environment, it can be deployed on exposed location on buoys and fixed structures. The unit comes with GPS antenna integrated in the housing but an external GPS antenna can be connected if required.

M76000 (DIAMETER 3000mm)

IALA BUOYAGE SYSTEM COLOR AND TOP MARKS

International Association of Lighthouse Authorities (IALA) was formed to unify the World's buoyage system. The system consists of 2 regions: A and B. Turkey is placed in region A. The IALA system is made up from 6 types buoys (Lateral, Cardinal, Isolated Danger, Safe Water, Special Warnings, Emergency Wreck)

LATERAL MARKS

System	Code	Color	Mark
A	76001		
A	76002		
A	76003		
A	76004		
B	76005		
B	76006		
B	76007		
B	76008		

CARDINAL MARKS

Code	Color	Mark
76009		
76010		
76011		
76012		

ISOLATED DANGER MARK

Code	Color	Mark
76013		

SAFE WATER MARK

Code	Color	Mark
76014		

SPECIAL MARK

Code	Color	Mark
76015		

EMERGENCY WRECK MARK

Code	Color	Mark
76016		



