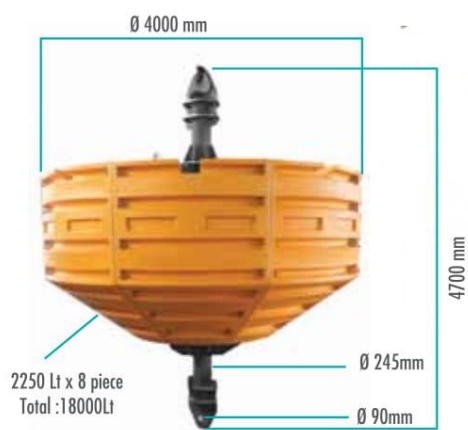


M77000
MOORING BUOY
(DIAMETER 4000mm)

Suitable for port ,coastal and deep sea applications. Especially,These buoys are used for the open sea mooring of the biggest oil tankers. Modular floats used for this buoy are made from rotomolded polyethylene shells filled with polyurethane foam or EPS. The metallic structure is made in hot dip galvanized steel, and has the important duty to support the modular floats.



M77000
TECHNICAL DATA

- Diameter: 4000 mm
- Overall Length: 4700 mm
- Foam Filling: EPS or PU 2130 mm
- Floatation per centimeter:120 kg
- Overall weight of buoy with shackle: 3800kg
- Inner Structure:Hot Dip Galvanized
- Float Material:UV-stabilized Virgin Polyethylene
- Foam Filling:EPS



MODULAR SYSTEM

There are eight modular floating parts.Each part is connected to the other with bolt and nut



ONE OF THE BIGGEST BUOY IN THE WORLD

